

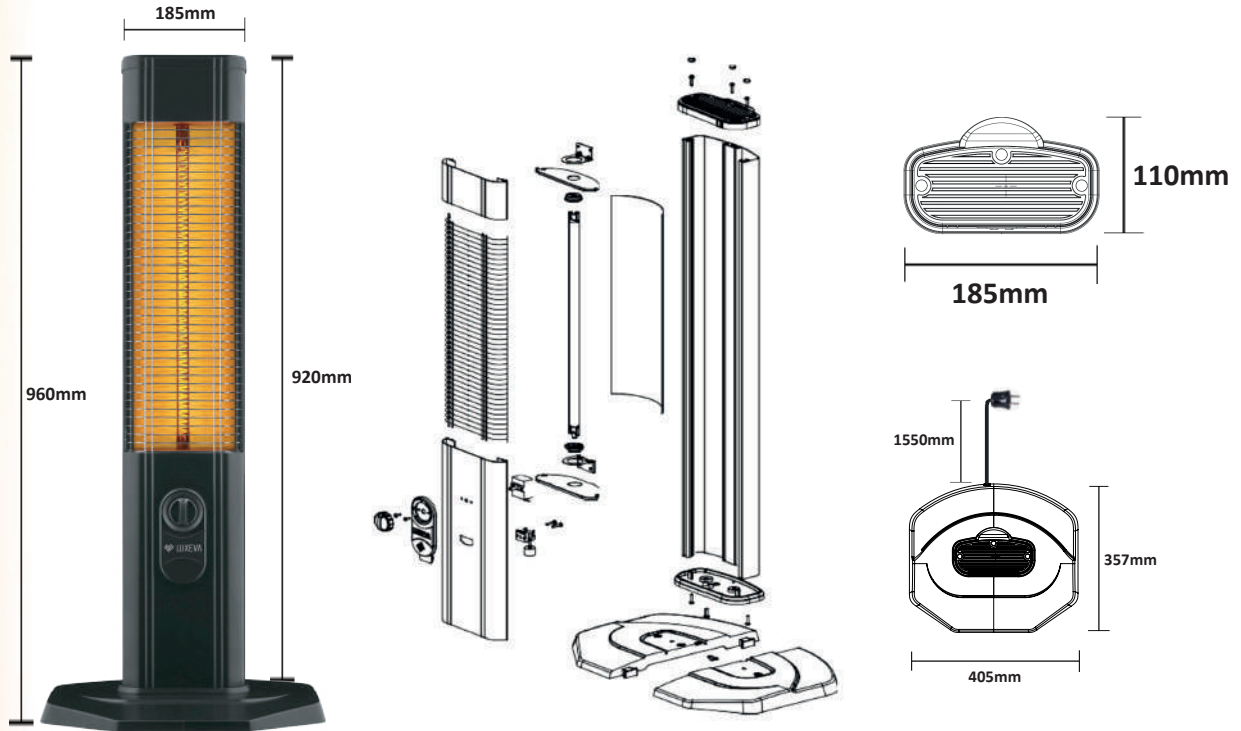
luxeva

PRODUCT INFORMATION

Product 4.0 • Updated: 23.03.2021

Brand	Type	Series	Model	Description
-------	------	--------	-------	-------------

Luxevea	Infrared Carbon Heater	Indoor Heating	LXV 2500	Infrared Carbon Heater 2500W. Controlled by The thermostat control.
---------	------------------------	----------------	----------	---------------------------------------------------------------------



Usage	Weight (kg)	Pcs on pallet
Freestanding Type	3,6	48

Mechanical Cont.	Remote Cont.
Yes	No

Measurements	Product (cm)	Carton (cm)
B*H*D cm	18,5*92,0*11,0	98,0*23,3*15,9

Power Vaules
2500W

	Measurements(cm)	EAN Code	Pcs in carton	Type tube	Est. lifetime
Big Carton	99,5*50,0*49,5	8682079419116	6	Carbon	10.000 hours

Connection	Colour Option	Volt	Length cord	IP class	Max effect
Right, left foot	Black,Silver	220-240V AC	1,8 meter	IP20 (IP44 Opt.)	2500W

Information

LXV 2500 Carbon Heaters are designed to provide efficient and high performance. It works with efficiency up to 98% with high-quality mesh carbon filament. In this way, it offers a perfect solution for heating with low energy consumption. It has an aesthetic appearance with aluminum body design. The heat-sensitive capillary thermostat provides a comfortable environment by keeping the environment at the desired temperature. It is a high-quality product that will be used for long years with its tilt safety, easy to carry design and dust cover.

IST

Ağaoğlu My Office 212, Mahmutbey,
Taşocağı Yolu, 34218 Bağcılar/İstanbul, Türkiye

FAC

Halkalı Merkez Mah. Egemen – Erciyes Sok. No: 9
Küçükçekmece / İSTANBUL

luxeva.com.tr
[luxevacomtr](https://www.facebook.com/luxevacomtr)

+90 212 471 02 03
info@luxeva.com.tr