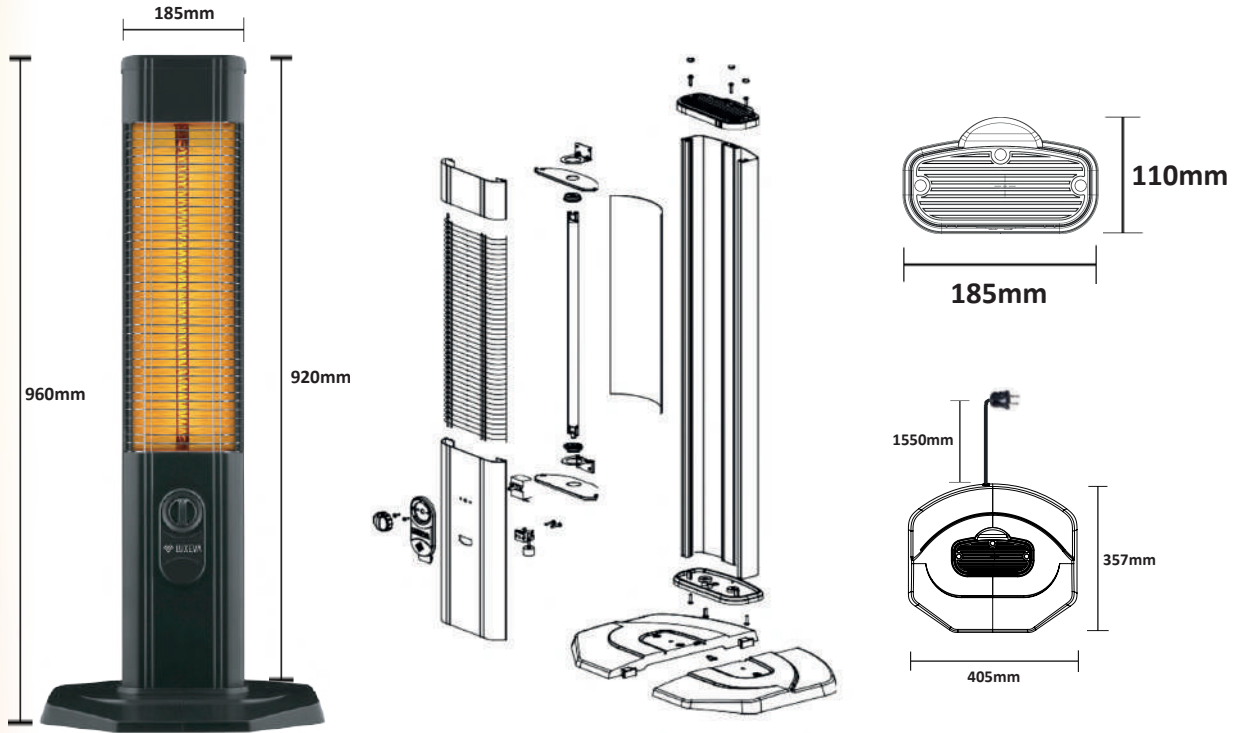


Brand	Type	Series	Model	Description
Luxeva	Infrared Carbon Heater	Indoor Heating	LXV 2000-TS	Infrared Carbon Heater 2000W. Controlled by a two-stage switch



Usage	Weight [kg]	Pcs on pallet
Freestanding Type	3,6	48

Mechanical Cont.	Remote Cont.
Yes	No

Measurements	Product [cm]	Carton [cm]
B*H*D cm	18,5*92,0*11,0	98,0*23,3*15,9

Power Vaules <i>P1/P2</i>
1000W/2000W

	Measurements[cm]	EAN Code	Pcs in carton	Type tube	Est. lifetime
Big Carton	99,5*50,0*49,5	8682079419123	6	Carbon	10.000 hours

Connection	Colour Option	Volt	Length cord	IP class	Max effect
Right, left foot	Black,Silver	220-240V AC	1,8 meter	IP20 [IP44 Opt.]	2000W

Information

The two-stage LXV 2000-TS is an enormous heater that works extremely quiet with its comfort, stylish appearance and easy operation [with aluminum body]. It has carbon resistance generating medium wave infrared heat [with 98% Productivity]. Provides safe operation with drop safety. Two levels are available for the heating level on the switch of the device. It switches off automatically if the heater overturns. It provides adaptation to its environment and more effective use in a short time